

# ***OWNER'S MANUAL***

## ***Pressure Blast Cabinet***

### ***Type series PULSAR (III, VI, VI+, VIII and VIII+)***

**Clemco**  
International GmbH

Carl-Zeiss-Straße 21  
83052 Bruckmühl  
Germany

Tel.: +49 (0) 8062 – 90080  
Mail: [info@clemco.de](mailto:info@clemco.de)  
Web: [www.clemco-international.com](http://www.clemco-international.com)







# **INDEX**

<b>1</b>	<b>ABBREVIATIONS, DEFINITIONS, SYMBOLS AND PICTOGRAMS</b>	<b>4</b>
<b>2</b>	<b>GENERAL INFORMATION</b>	<b>4</b>
2.1	Technical documents	4
2.2	Other applicable documents	4
<b>3</b>	<b>PRODUCT DESCRIPTION</b>	<b>5</b>
3.1	Conventional utilization and restrictions	5
3.2	No conventional utilisation – Warnings for misuse	5
3.3	Operating mode of the complete system	6
3.4	Description	7
3.4.1	Media-recovery system (Reclaimer)	7
3.4.2	Blast machine	7
3.4.3	Dust collector cartridge	7
3.4.4	Operating elements	7
3.5	Air consumption	8
3.6	Energy consumption	8
3.7	Emissions	8
<b>4</b>	<b>SET-UP FOR INITIAL INSTALLATION</b>	<b>8</b>
4.1	Carriage / Handling of cargo	8
4.2	Unpacking and disposing the packing material	8
4.3	Requirements for installing a cabinet	8
4.3.1	Requirements	8
4.3.2	Required space	9
4.4	Set-up, assembling and operation checkout	10
<b>5</b>	<b>INSTRUCTION HANDBOOK</b>	<b>11</b>
5.1	Set up and operation, shut down	11
5.2	Emergency STOP function	11
5.3	Shutdown by longer interruption of work or moving the cabinet	12
5.4	Special procedures	12
5.4.1	Adjust media / air mixture	12
5.4.2	Negative pressure, view, media consumption and conveyance	12
5.4.3	Media unloading	13
5.4.4	Pulsing (cleaning) dust collector cartridge / replace cartridge / disposal of residues	13
5.4.5	Window replacement	14

5.4.6	Adjust door safety interlock.....	14
<b>6</b>	<b>MAINTENANCE AND CLEANSE.....</b>	<b>14</b>
6.1	Preface .....	14
6.2	Dust container.....	15
6.3	If required.....	15
6.4	After max. 8 h of blasting.....	15
6.5	After max. 50h of blasting.....	16
6.6	After max. 150h of blasting.....	16
6.7	After other periodes of time .....	16
<b>7</b>	<b>TROUBLESHOOTING .....</b>	<b>16</b>
<b>8</b>	<b>ADMITTED MODIFICATIONS FOR USERS.....</b>	<b>18</b>
<b>9</b>	<b>REPLACEMENT PARTS .....</b>	<b>18</b>
9.1	Cabinet assembly.....	18
9.2	Pneumatic circuit.....	20
9.3	20 l Blast pot for Pulsar III – part no.: 100056.....	21
9.4	40 l Blast pot for Pulsar VI, VI+, VIII, VIII+ - part no.: 99427Z.....	21
9.5	Nozzles, Blast hose, Couplings, etc .....	22
9.6	Foot pedal.....	23
9.7	Cyclon.....	23
9.8	Dust collector and exhauster.....	25
9.9	Control box.....	26
9.10	Grounding.....	27
9.11	Options, Accessories .....	27
9.11.1	<i>Further options</i> .....	27
9.12	Control box- binding plan for 3x400 V, 0.75 kW .....	28
<b>10</b>	<b>DISPOSAL .....</b>	<b>28</b>

---

# 1 Abbreviations, definitions, symbols and pictograms


	<b>Risk of injury!</b> Connect electric circuit points only by authorized electrician.		<b>Electrostatic stroke!</b> Ground!
	<b>Noise &gt; 85dB(A)</b> Wear ear protection!		<b>Explosion hazard caused by dust!</b> Ground!
	<b>Explosion hazard!</b> Connect only max. admitted pressure.		<b>Risk of injury!</b> Discharge pressure completely during maintenance jobs.

## 2 General information

### 2.1 Technical documents

The technical documents are part of the machine and contains important manufacturer information. The technical documentation is intended for everyone who uses the cabinet.

These operating instructions provide important information on handling the device. The precondition for safe working is compliance with all specified safety instructions and handling instructions. In addition, the local accident prevention regulations applicable to the area in which the device is used and the general safety regulations must be followed. Read the operating instructions carefully before starting any work! It is part of the product and must be kept in the immediate vicinity of the device and be accessible to staff at all times. These technical documents must be made available to all persons who use the blasting cabinet under their own responsibility. Those responsible for the plant and operation must ensure that the documentation has been read and understood completely. On the basis of this documentation and taking into account the industrial safety regulation, appropriate maintenance and test plans as well as operating instructions for the operating and maintenance personnel must be derived.

	<b>NOTE!</b> The illustrations in these instructions are for basic understanding and may differ from the actual design of the device.
-------------------------------------------------------------------------------------	------------------------------------------------------------------------------------------------------------------------------------------

### 2.2 Other applicable documents

The following operating instructions must also be noted:

Operating instructions single-chamber pressure blasting devices with manual metering valve, pilot pressure regulator, TLR outlet valve and water separator

Operating instructions pressure cyclone

### 3 Product description

#### 3.1 Conventional utilization and restrictions

	<b>PULSAR III</b>	<b>PULSAR VI</b>	<b>PULSAR VIII</b>	<b>PULSAR VI+</b>	<b>PULSAR VIII+</b>
Max. carrying capacitance steel grating	1000 N	1000 N	1000 N	1000 N	1000 N
Max. carrying capacitance with wrack	2000 N	2000 N	2000 N	2000 N	2000 N
Operating time	< 4h / day			Continuous operation	
Basic parameters	See Section "0.5 – Applications and restrictions" – "Parameters" from the yellow cover of this manual				

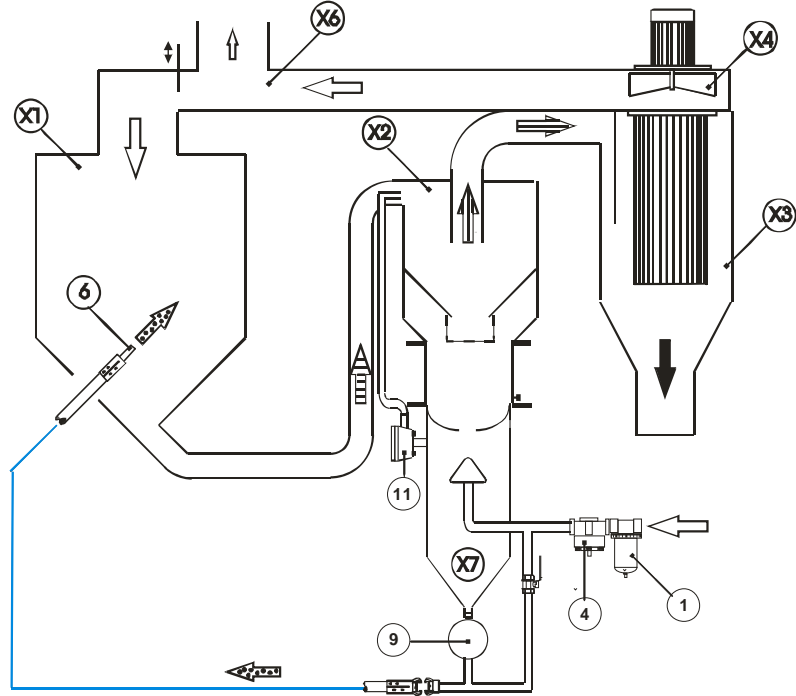
#### 3.2 No conventional utilisation – Warnings for misuse

**Prohibited:**

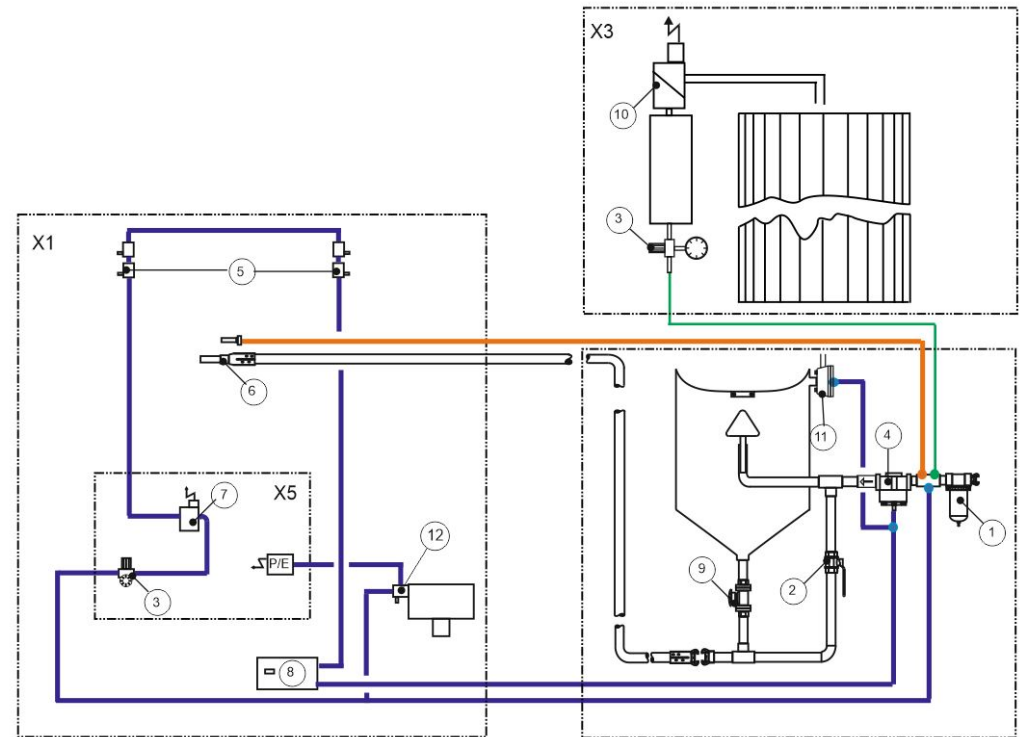
- Operating in an explosive atmosphere
- Not to be used for case 3 from the exploded view drawing (see yellow cover, section 06), apart from the following exceptions:
  - o only permitted if the risk of explosion can be adequately restricted by implementing special measures and proof of this is provided
  - o this proof must be provided in writing as part of a case-by-case assessment
- Not to be used as a blast cleaning cabinet that relies on explosive solvents and/or solvents that are hazardous to health
- Not to be used for blasting parts that could release substances:
  - o that pose a risk of explosion
  - o that cannot be sufficiently restrained by the filter
  - o that could be hazardous to health in the event of a filter defect

### 3.3 Operating mode of the complete system

#### Abrasive circuit flow - Basic principle



#### Pneumtical flow scheme - colours of pneumatic hoses are not binding



	Pure air	8	Foot pedal 3/2-way solenoid valve
	Abrasive, dust and air	9	Manual abrasive metering valve
	Abrasive and air	10	Diaphragm valve /cleaning
	Dust and air	11	Outlet valve
	Dust	12	3-way solenoid valve
1	Moisture separator, dust collector	X1	Blast cabinet
2	Ball valve	X2	Reclaimer
3	Pilot regulator	X3	Cartridge dust collector
4	Pressure regulator auch Einlaßventil	X4	Exhaust muffler
5	Pneumatic door interlock - 3/2-way solenoid valve	X5	E-box
6	Nozzle	X6	Connection channel between fan and blast cabinet *1)
7	3-way solenoid valve	X7	Blast machine

### 3.4 Description

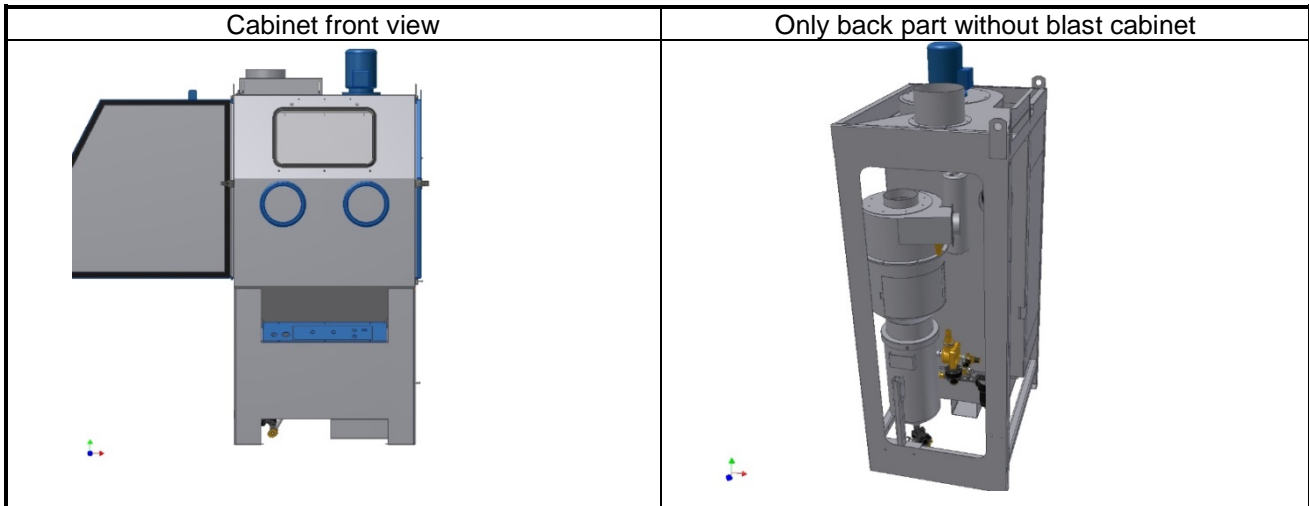


Figure 1: Pulsar III & VI pressure blast cabinet

#### 3.4.1 Media-recovery system (Reclaimer)

- Cyclon principle
- Compartmentation of:
  - o Dust in dust collector
  - o Good media in circuit
  - o Coarse impurities in screen

#### 3.4.2 Blast machine

- Volume:
  - o Pulsar III : 20 l
  - o Pulsar VI, VI +, VIII, VIII+ : 40 l
- Media metering valve: manual
- Controlled over foot pedal

#### 3.4.3 Dust collector cartridge

- ⇒ automatically dedusting trough air pulse with backlash
- ⇒ Pulse interval : ca. 40..60 s
- ⇒ Pulse duration : ca. 500 ms
- ⇒ Backlash: ca. 5min
- ⇒ exchangeable cartridge
- ⇒ Dust container

#### 3.4.4 Operating elements

	where	notes /functiones
Pressure regulation blasting	Control box	2 to 7 bar
Dedusting filter cartridge	Pressure regulator on air balance vessel – Backside of blast cabinet	Preference pressure: 5 bar
ON/OFF	Electric panel	Activating: -Control circuit -Fan -Light -Filter cartridge dedusting function (OFF does not deactivate the follow-up cleaning)
Emergency STOP	Electric panel	- Interrupts power supply and filter follow-up cleaning
Pneumatic dust container contact	Dust container	- Interrupts power supply and filter follow-up cleaning

### 3.5 Air consumption

See yellow cover.

### 3.6 Energy consumption

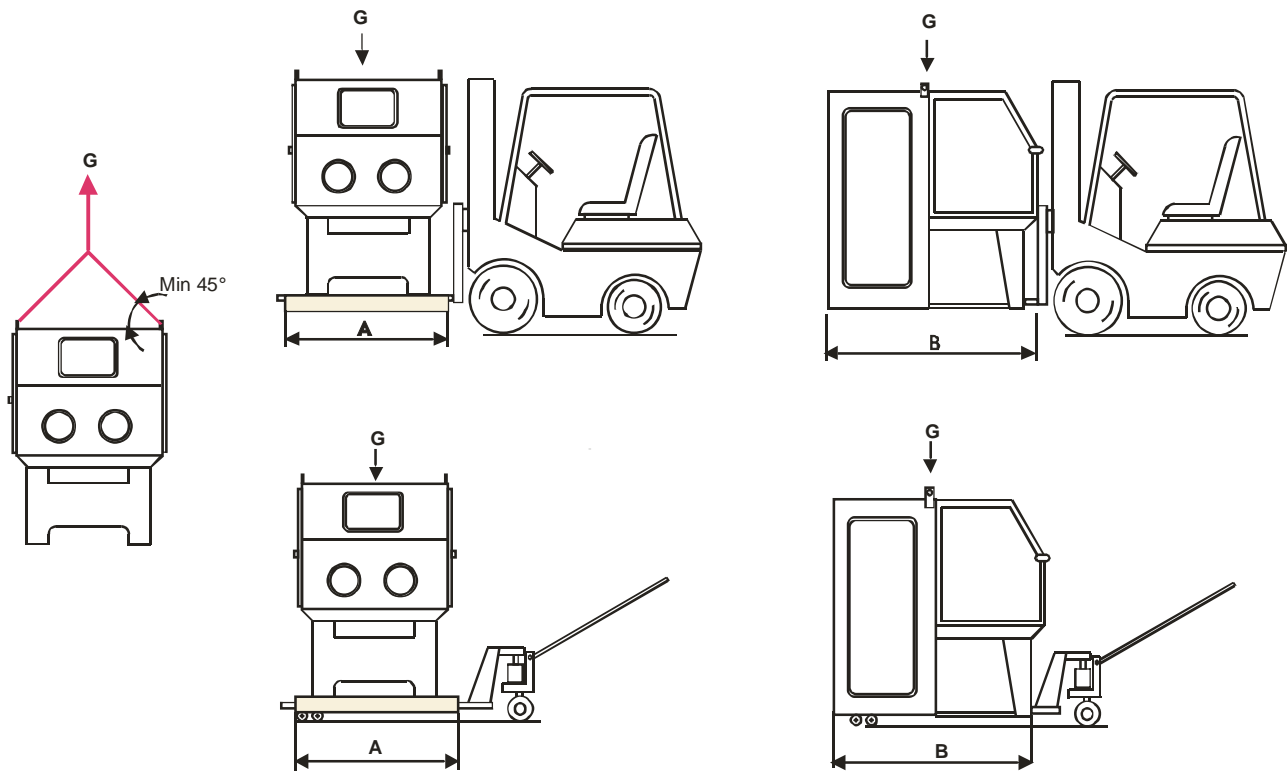
Electrical connection: see identification plate on machine.

### 3.7 Emissions

See yellow cover.

## 4 Set-up for initial installation

### 4.1 Carriage / Handling of cargo



	Weight		A (mm)	B(mm)
Pulsar III Pressure	4000 N	(400 kg)	1100	1700
Pulsar VI Pressure	4600 N	(460 kg)	1450	1900
Pulsar VI+ Pressure	4800 N	(480 kg)	1450	1900
Pulsar VIII Pressure	4800 N	(480 kg)	1450	2200
Pulsar VIII+ Pressure	5000 N	(500 kg)	1450	2200

### 4.2 Unpacking and disposing the packing material

- Pallet: wooden pallets – no special measures required
- Plastic film: plastic waste

### 4.3 Requirements for installing a cabinet

#### 4.3.1 Requirements

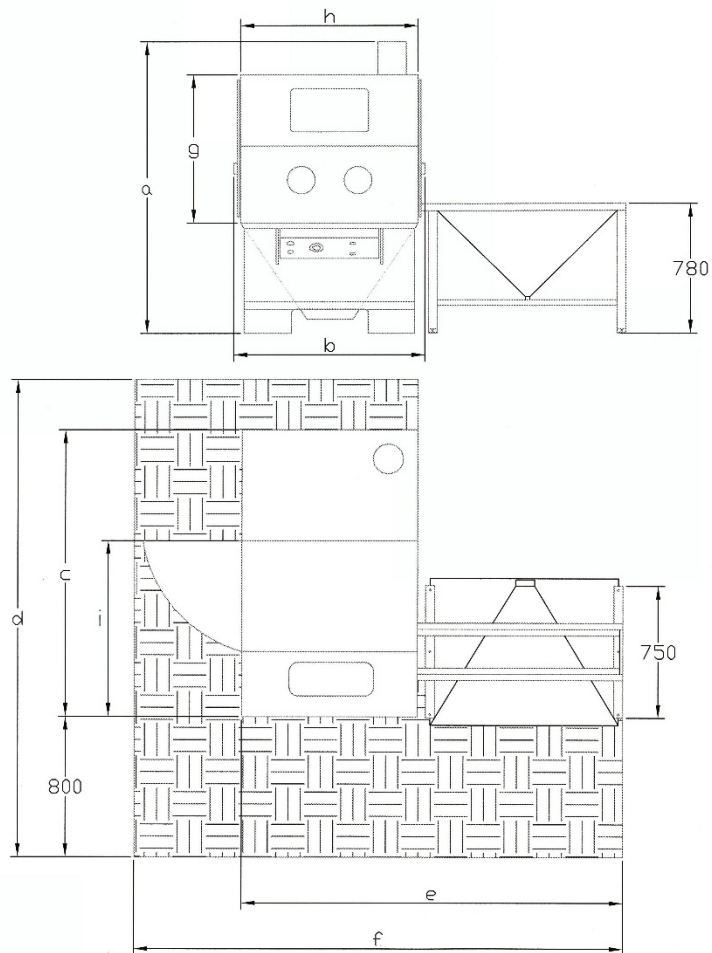
Basic allowance: see yellow cover.



### 4.3.2 Required space









Dimensions ( $\pm 10\text{mm}$ )	Model				
	PULSAR III	PULSAR VI	PULSAR VI+	PULSAR VIII	PULSAR VIII+
a	2010	2090	2090	2090	2090
c	1640	1855	1970	2115	2230
d during blasting	2490	2705	2820	2965	3080
d during repairing	3040	3255	3370	3515	3630
e	2200	2570	2570	2570	2570
f	3050	3520	3520	3520	3520



**Table 1:** Dimensions



**Figure 2:** Required space for cabinet

#### 4.4 Set-up, assembling and operation checkout

<p>Cabinet set up.</p>	<ul style="list-style-type: none"> <li>- Requirements: see yellow cover</li> <li>- Anchoring to the floor: not required</li> </ul>
	 <p><b>Warning! Explosion hazard!</b> Connect only max. admitted pressure!</p>
<p>Air supply</p>	<p>If pressure is &gt;7 bar, install an additional pressure regulator and safety valve between the cabinet and compressed air supply.</p> <p>Connect air line between supply and cabinet.</p> <ul style="list-style-type: none"> <li>- Min. internal diameter: 19mm; max. length: 10m</li> </ul>
<p>Filter cartridge cleaning</p>	<p>Adjust pressure regulator to 5 bar for cleaning</p>
	 <p><b>Warning! Risk of injury!</b> Only allow approved specialists to establish the electrical connections.</p>
	 <p><b>Warning! Explosion hazard caused by dust!</b> Ground!</p>
	 <p><b>Caution! Electrostatic shocks!</b> Ground!</p>
<p>Electrical connection and grounding</p>	<ul style="list-style-type: none"> <li>- 16A Europlug connection</li> <li>- Ground cabinet <ul style="list-style-type: none"> <li>- min. 10 mm<sup>2</sup></li> <li>- Earthing screw provided, earthing cable included on backside of cabinet</li> <li>- Special nut on filter door to ensure proper grounding</li> </ul> </li> </ul>
<p>Operation checkout without media</p>	<p>Close the doors.</p> <p>Switch on the electrics (green button). Check the following:</p> <ul style="list-style-type: none"> <li>- Lighting on?</li> <li>- Does the fan motor start? Motor rotating in direction of arrow? If necessary, reverse the polarity.</li> <li>- Cleaning pulse for filter active? (Interval: approx. 40s)</li> <li>- Take the nozzle in your hand and step on the foot pedal. Does the blast process start?</li> <li>- Step on the foot pedal and open the door on the left or right (with assistance from a 2nd person). Does the blast process stop?</li> <li>- Dust container monitoring: Release the dust bucket clamp – Does filter cleaning stop along with the motor in the same way as for an emergency stop?</li> </ul> <p><b>Test cabinet with media, if no irregularities can be detected. Otherwise remedy errors. Therefore see section 6.</b></p>
<p>Media loading</p>	<ul style="list-style-type: none"> <li>- Slowly pour blast media into the funnel while the fan is running.</li> <li>- Fill quantities for initial filling: <ul style="list-style-type: none"> <li>+ Pulsar III: 10l</li> <li>+ Pulsar VI, VI+ and VIII : 20 l</li> </ul> </li> </ul>

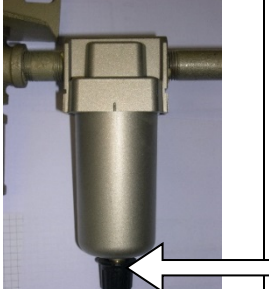
		<b>Caution! Noise &gt; 80 dB (A)</b> Wear ear protectors!
<i>Operation checkout with media</i>	<ul style="list-style-type: none"> <li>--Close the doors.</li> <li>-Set blasting pressure.</li> <li>-Grask firmly nozzle and hold it in direction grate. Point the gun towards the perforated plate. Press down the foot pedal □ The blast process begins.</li> <li>-Check if dust passes of (with assistance from a 2-nd person) The following points are critical: <ul style="list-style-type: none"> <li>- Doors</li> <li>- Suction hose connections</li> </ul> </li> <li>- Connections between dust collector and dust container. You can only tell whether the machine is leak-proof during cleaning down.</li> </ul>	

## 5 Instruction handbook

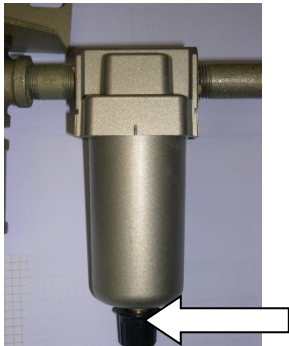
### 5.1 Set up and operation, shut down

1	Open air supply	
2	Adjust blasting pressure	
3	Switch on electrics	Press green "ON" button
4	Place parts inside cabinet	Close doors
5	Blasting	Grask firmly blast gun/nozzle and press down foot pedal
6	Removal of dust	From parts with blow-off gun
7	Switch off electrics	Press red "OFF" button Follow-up cleaning continues running for approx. 5min
8	Close air supply	

### 5.2 Emergency STOP function


<i>Push EMERGENCY STOP button</i>	-Interrupts power supply and filter cleaning function (follow-up cleaning)	
<i>Valve contact on dust container inactive</i>	- Interrupts power supply and filter cleaning function (follow-up cleaning)	
<i>Close the external compressed air supply</i>		Evacuate air via moisture separator adjusting screw.

### 5.3 Shutdown by longer interruption of work or moving the cabinet

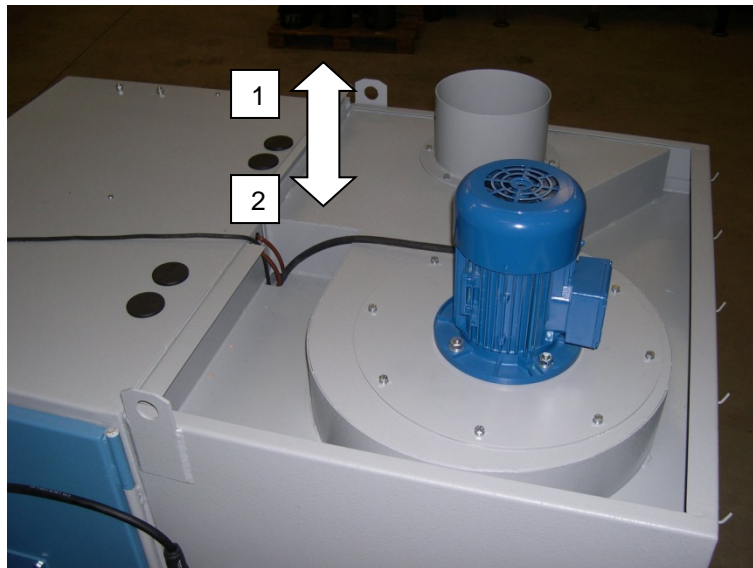
Remove blast media	see 5.4.3.	
Disconnect electrics	to be completed by an approved specialist only	
Close the external compressed air supply		Evacuate air via moisture separator adjusting screw.

### 5.4 Special procedures

#### 5.4.1 Adjust media / air mixture

	<ul style="list-style-type: none"> <li>-Close media metering valve on the blast machine (direction 1)</li> <li>- Open step by step; jet ist ok when the blast media comes out the nozzle as a light mist.</li> </ul>
------------------------------------------------------------------------------------	----------------------------------------------------------------------------------------------------------------------------------------------------------------------------------------------------------------------

#### 5.4.2 Negative pressure, view, media consumption and conveyance



Damper	Negative pressure	View	Media exhausting / Consumption	Media suction
1	lower	better	higher	better
2	higher	worser	lower	worser

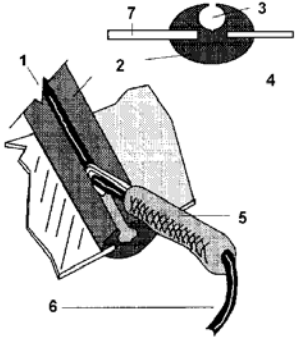
### 5.4.3 Media unloading

Turn on exhauster	Green push button
Unloading the blast pot	<ul style="list-style-type: none"> <li>- Close choke valve on the blast pot</li> <li>- fully open media metering valve</li> <li>- Blasting pressure: should be reduced to low pressure</li> <li>- unscrew nozzle and nozzle holder</li> <li>- put a container such as a bucket on the cabinet grating</li> <li>- hold hose into the container</li> <li>- press foot pdeal → direct media flow into the conatiner</li> </ul>
Clearing cabinet	<ul style="list-style-type: none"> <li>-closed doors</li> <li>-exhauster is working</li> <li>-with blow off nozzle</li> </ul>
Unloading the reclaimer	<ul style="list-style-type: none"> <li>-push emergency stop switch</li> <li>-open door and remove media into the hopper</li> <li>-place a bucket under the hopper</li> <li>-open ball valve</li> </ul>
Unloading blast pot again	-only residues

### 5.4.4 Pulsing (cleaning) dust collector cartridge / replace cartridge / disposal of residues

Replace cartridge	<ul style="list-style-type: none"> <li>- Clean the filter cartridges once or twice (pulse)</li> <li>- Switch off cabinet (red button)</li> <li>- Close air supply</li> <li>- depressurize the system</li> <li>- Unscrew dust collector cover</li> <li>- Slide a plastic bag (≥120l) over the filter cartridge</li> <li>- Undo nuts on flange and remove cartridge together with the plastic bag</li> <li>- Screw in new cartridge, making sure that seal is seated correctly</li> <li>- Lock filter cover in place</li> </ul>
Empty dust container	<ul style="list-style-type: none"> <li>- Open dust bin, close plastic bag (inside dust bin) and remove it</li> <li>- Set up new plastic bag into the dust bin</li> <li>- Release the dust container from the cover.</li> </ul> <p><b>WARNING! If toxical residues, dispose dust as hazardous waste!</b></p>

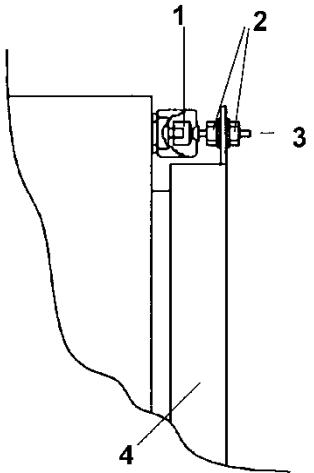
### 5.4.5 Window replacement

	No.:	Description
	1	Filler strip
	2	Molding
	3	Place for filler strip
	4	Cabinet wall (fits into narrow slot)
	5	Window tool
	6	Filler strip
7	Window (fits into expanded slot)	

**Figure 4:** Thread filler strip

<i>Pull filler strip from the window molding</i>	
<i>Remove window</i>	Push the window from the cabinet inside
<i>Install a new window molding</i>	Strip channel facing the front of the cabinet
<i>Install window</i>	Push into the slot
<i>Thread filler strip</i>	With installation tool

### 5.4.6 Adjust door safety interlock



	Nr:	Description
	1	Door safety interlock
	2	Nut for dcrew adjusting
	3	Actuating screw for safety interlock
4	Cabinet door	

**Figure 5:** Door safety interlock connection

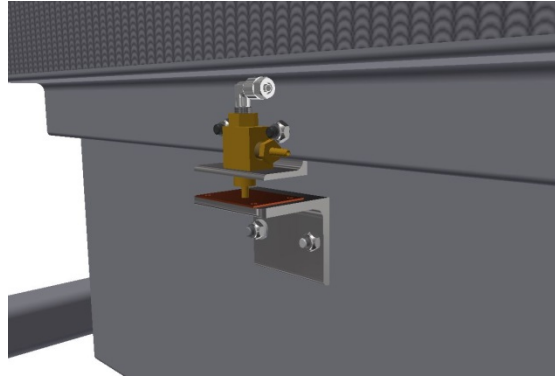
## 6 Maintenance and cleanse

### 6.1 Preface

During operation the cabinets are exposed to wear. Regular maintenance is the only way to ensure high levels of safety and efficiency.

	 <b>Warning</b>	<p><b>Warning! Risk of injury!</b> Dicharge completely pressure during maintenance jobs.</p>
-------------------------------------------------------------------------------------	----------------------------------------------------------------------------------------------------	--------------------------------------------------------------------------------------------------

## 6.2 Dust container



Check	Replace/clean if necessary
<i>Pneumatic dust container contact</i>	<ul style="list-style-type: none"> <li>- Open fastener</li> <li>- Press pin, which should spring back of its own accord</li> </ul>
<i>Empty dust container regularly</i>	- May be necessary after just 1h – but never leave it longer than 4h

## 6.3 If required

Check	Replace/clean if necessary
<i>View window</i>	<ul style="list-style-type: none"> <li>- Cover lenses</li> <li>- If necessary window glass – see 5.4.5</li> </ul>
<i>Gloves</i>	- Replace if damaged

## 6.4 After max. 8 h of blasting

Check	Replace/clean if necessary
<p><i>Door interlock</i></p>	<ul style="list-style-type: none"> <li>- Open doors</li> <li>- Press pin (1). It must return from alone.</li> </ul>
<i>Media recovery system (cyclone)</i>	<ul style="list-style-type: none"> <li>- Empty screen → Turn off exhauster. This may be necessary more often.</li> <li>- Clean any residues off the solenoid in the screen</li> <li>- Check that the swirl brake in the screen is seated securely</li> </ul>
<i>Nozzle and nozzle holder</i>	- Check the nozzle gasket for wear, if necessary exchange

### 6.5 After max. 50h of blasting

Check	Replace / clean if necessary
(1) Blast gun and nozzle	Nozzle gasket
(2) Moisture separator	Always use a mild detergent for cleaning (e.g. soapsuds)
(3) Air- and blast hoses	- Hose couplings and gaskets - Blast hoses (with a squeeze of the hand)
(4) Blast pot	-Check O-ring for wear by hand -Check pop up valve for wear by hand

### 6.6 After max.150h of blasting

Check	Replace/clean if necessary
(1) Gasket on cabinet doors	Clean and, if necessary replace
(2) Filter cartridge	- See Section 5.4.4

### 6.7 After other periodes of time



Replace (even without wear)	After maximal:
Blsat hoses	6 years
Remote control hoses	6 years
Air hoses – external air supply	6 years
O-rings	5 years
Pop up valve (blast pot)	5 years
Gaskets	5 years

## 7 Troubleshooting

Problem	Probable cause	Remedy
(1) Cabinet does not work	Dust container is not fixed in position	Check fixing (maybe do adjustments)
	Valve on dust container is defective or has not been adjusted correctly	Check and replace if necessary
	No air pressure	Check all connections
	Emergency stop switch activated	deactivate
(2) Poor visibility.	Fan motor does not work	
	Damper slid in wrong position	See 5.4.1
	Filter cartridge is dirty	Blow off filter cartridge Replace it (see 5.4.4)
	Fan motor is rotating backwards	Get an approved specialist to reverse the polarity
	Blast media breaks down rapidly and develops dust	- Reduce blast pressure - Use another type of blast media
	Hose between cabinet and cyclone is blocked	Check the hose and, if necessary, detach it. Remove the dust and blast media. <b>Blockage is not the real cause.</b>
	Air leakage in the suction cycle	Check the following components: - Cyclone door is open or leaky - Check the cconnections of hose for leaks - Check suction hoses for wear - Check if dust container is sealed proper



(3) <i>Abnormally high media consumption.</i>	Cyclone door is open or leaky	Replace gasket
	Blast media is too fine or too light	Install and adjust a supplementary Vortex tube
	Negative pressure too high	See 5.4.2
(4) <i>Poor cleaning rate</i>	Not enough blast media in circuit.	Check and if necessary refill.
	Media metering valve is adjusted incorrect	A new adjustment is necessary (see 5.4.1).
	Reduced air-pressure	- Check air supply - If the static pressure decreases during blasting, the following components should be checked : + moisture separator + pressure regulator + nozzle
	Blocked blast hose or gun / nozzle	- Push nozzle against an elastical object (for example rubber plate) and step on the foot pedal. - Disassembly hose or gun and cleanse. - Search after the cause of blockage: ⇒ Missing or overfilled screen in the reclaimer. ⇒ Incorrectly adjusted metering valve. ⇒ Too heavy blast media.
	Worn nozzle	-Replace nozzle
	Moist blast media	- Frequent bridging or blockage in the media metering valve can be caused by moist blast media. Following reasons could be possible: ⇒ Media was filled moist → remove ⇒ Humidity from air supply → interconnect humidifier ⇒ Perspiration water through sharp drop in room temperature → Make sure, that there is not too much temperature fluctuation
(5) <i>Dust comes out the blower</i>	Dust filter gasket defective.	-Replace gasket -see 5.4.4
	Defective cartridge.	- replace cartridge -see 5.4.4
(6) <i>Static shocks</i>		- improve grounding of the cabinet. - in exceptional cases use supplementary ground wire between blast gun and cabinet wall
(7) <i>No air and no media comes out the nozzle</i>	Door interlocks are not actuated	Adjust pin resp. door fixing bzw. see 5.4.6
	Polluted (blocked) moisture separator.	Cleanse moisture separator
(8) <i>Air only (no media) comes out the nozzle</i>	No blast media in the blast circuit	refill
	Moist media	-Remove moist media. -Remove cause for humid air supply.
	Wrong connection of pneumatic hoses on foot pedal → permanent air blow off	- only when foot pedal was new installed - connect properly
	Hose of control lines leaky	- need of second person

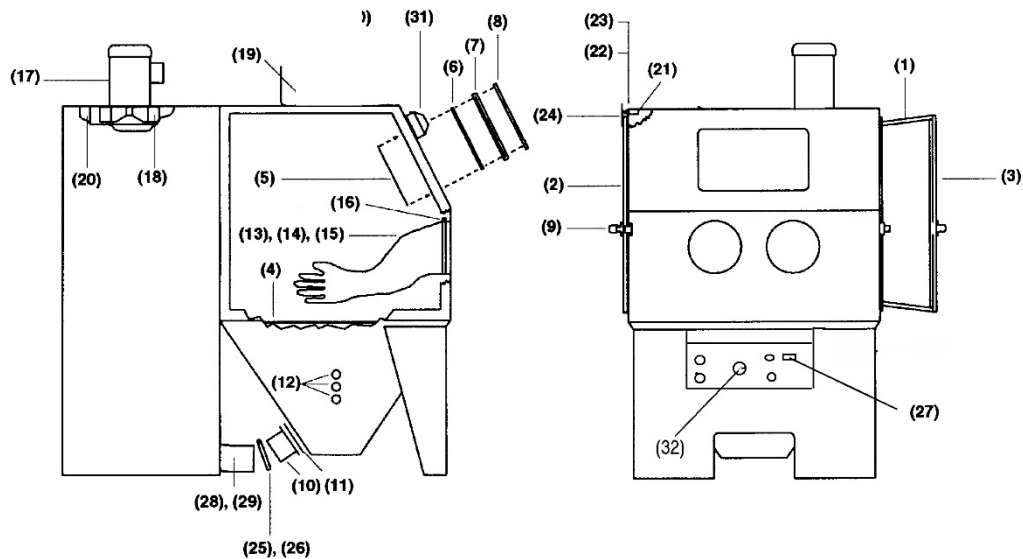
		- First person „is blasting“, second person checks leakages on controles lines.
		<b>Caution! Risk of injuri!</b> Discharge completely pressure during maintenance jobs.
(9) No interruption of blast process when foo pedal is released	Foot pedal valve blocked.	- Bleed installation (see 5.2 / 5.3) - Replace foot pedal valve
(10) Irregular flow or too much blast media comes out the nozzle	Incorrect adjusted media flow.	Adjust new (see 5.4.1).
(11) Media remains in the suction hose	Incorrect adjusted negative pressure	See 5.4.2
	Media too heavy	Use other media

## 8 Admitted modifications for users

Only with the approvement of the producer! Otherwise the installation will loose guarantie and CE-certification.

## 9 Replacement parts

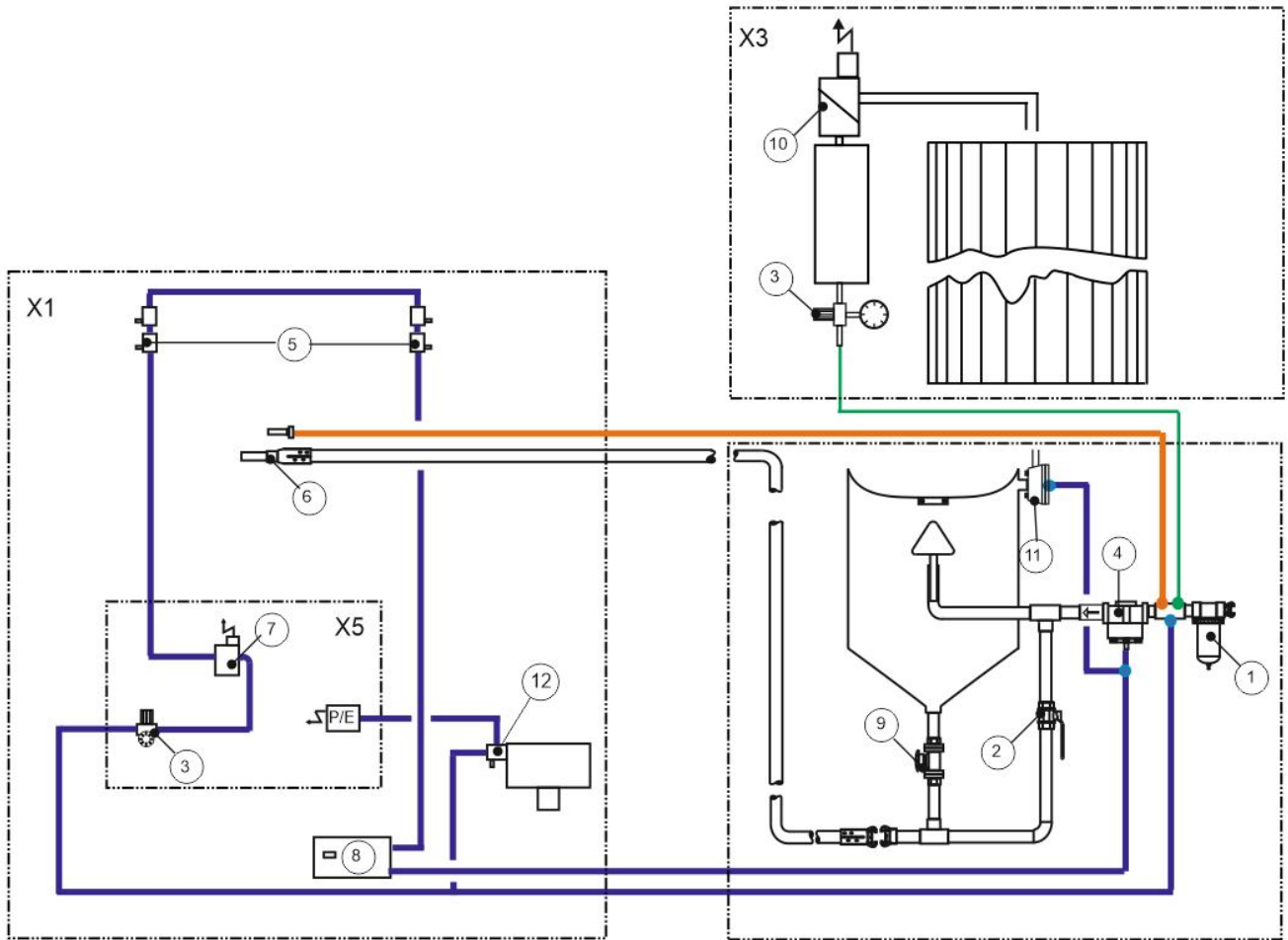
### 9.1 Cabinet assembly



Pos.	description	Pulsar III	Pulsar VI &VI +	Pulsar VIII&VIII+
(1)	Door gasket per m	12434Z	12434Z	12434Z
(2)	Left door complete ( blue)	100326	100328	100328
(3)	Right door complete (blue)	100327	100329	100329
(4)	Gate	11811Z	11810Z	without

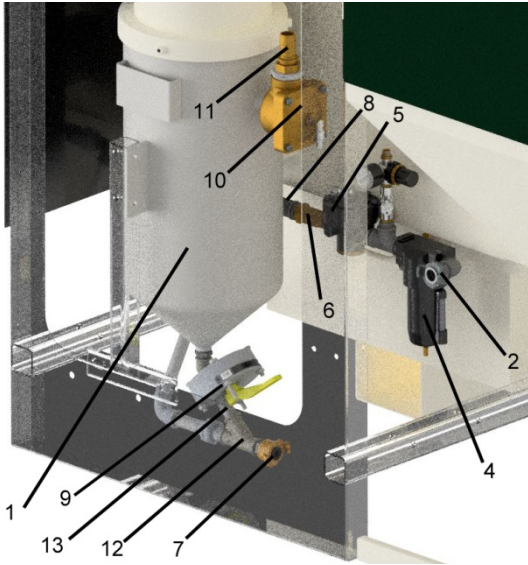
(5)	Change frame mylar - small	100960	100960	100960
-	Glass change frame-small	100991	100991	100991
-	Chain /m (necessary 0,5m)	24273Z	24273Z	24273Z
-	Door gasket (2m)	12434Z	12434Z	12434Z
-	Star handle IG M8	100551	100551	100551
(6)	Window glass - small (security glass)	12212Z	12212Z	12212Z
(7)	Gasket	12435Z	12435Z	12435Z
(8)	Filler strip	12436Z	12436Z	12436Z
(9)	Door opener spacial for cabinet	99585Z	99585Z	99585Z
(10)	Adaptor Ø 100 mm / 4"	12376Z	-	-
	Adaptor Ø 125 mm / 5"	-	12377Z	12377Z
(11)	Gasket Ø 100 mm / 4" for adaptor	11776Z	-	-
	Gasket Ø 125 mm / 5" for adaptor	-	11777Z	11777Z
(12)	Grommet for air hose	11798Z	11798Z	11798Z
(13)	Rubber gloves pair	99159Z	99159Z	99159Z
(14)	Rubber glove, left	12710Z	12710Z	12710Z
(15)	Rubber glove, right	12711Z	12711Z	12711Z
(16)	Clamp (for gloves)	11576Z	11576Z	11576Z
(17)	E-Motor, 230 / 415V, 0,75 kW ,B5, 2800 rpm	19026Z	19026Z	19026Z
(18)	Paddle wheel	19235Z	19235Z	19235Z
(19)	Grommet (for blast hose 6 mm)	12762Z	12762Z	12762Z
(21)	Pneumatic valve safety door	12202Z	12202Z	12202Z
(23)	Bushing safety door valve	15042Z	15042Z	15042Z
(26)	Clamp f. Ø 100 mm / 4" (wire)	90241Z	-	-
	Clamp f. Ø 125 mm / 5" (wire)		90260Z	90260Z
(29)	Suction hose PU Ø 100 mm / 4" per m	12447Z	-	-
	Suction hose PU Ø 125 mm / 5" per m	-	12449Z	12449Z
(31)	Lamp complete (less regulator)	19574Z	19574Z	19574Z
(-)	Fluorescent tube holder	11843Z	11843Z	11843Z
(-)	Fluorescent tubes	11872Z	11872Z	11872Z

## 9.2 Pneumatic circuit



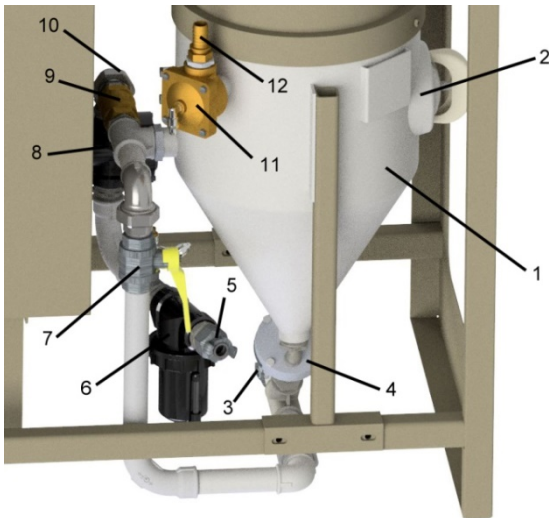
Pos.	Description	Pulsar III	PulsarVI a. VI+	Pulsar VIII andVIII+
1	MM-HMS water separator ½"	90256D	90545D	90545D
3	Pressure regulator ¼" (Pilot regulator) Gauge (front mounting)	100061 11831Z	100061 11831Z	100061 11831Z
4	Pressure regulator	10709Z	10711Z	10711Z
5+12	Pneumatic valve safety door	12202Z	12202Z	12202Z
ohne	Bushing safety door valve	15042Z	15042Z	15042Z
6	Nozzle holder , nozzle	see 9.5		
7	E-valve 1/8"	100741	100741	100741
8	Foot pedal Pulsar	06266Z	06266Z	06266Z
9	Media metering valve	24376D	24376D	24376D
10	Valve ASCO Pulsar (dedusting)	90804Z	90804Z	90804Z
11	Outlet valve	03371I	03371I	03371I
ohne	Air hose 1/8" (pro Meter) - brown	12475Z	12475Z	12475Z

**9.3 20 l Blast pot for Pulsar III – part no.: 100056**



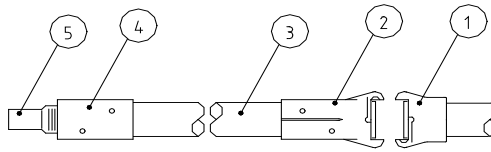
Pos.	Part no.:	Description
1	24328D	Blast pot 20l SC-1028 only
	01245D	O-Ring MP 5
	01243D	Pop-up valve MP-2 only
	100747	Bushing for MP-
2	90002D	KAG-12 air coupling
-	01241D	Ball valve 1/2" F
4	90256D	MM-HMS Water separator 1/2"
5	10709D	Pilot regulator 1/2"
6	24217I	Non return valve 1/2" with rubber ball
7	90257D	CFB-0 Brass coupling
8	90494D	Union 1/2" FM
9	24376D	Media metering valve MP 1/2"
10	03371I	Outlet valve TLR
11	94301D	Hose nipple 1"x 25mm
12	24384D	Y-piece 1/2" Nr.: 165
13	90308D	Pipe 1/2" x 60mm

**9.4 40 l Blast pot for Pulsar VI, VI+, VIII, VIII+ - part no.: 99427Z**



Pos.	Part no.:	Description
1	99982A	Blast pot SC-1628 ZV SOFT only (40l)
-	02321D	P-2 Pop-up valve with shaft
-	99157D	O-Ring P-5 with quarterlip
2	02323D	Inspection door ASSY
3	91011D	CFT iron cast coupling 1 1/4"
-	90550D	P-8-R Y pice 1 1/4"
-	90551D	P31 nipple 1 1/4"x100mm rubber lined
	94284D	KAG 54 Air coupling 1 1/4" M
	01809D	Red. bushing 1 1/4"-1/2"
4	24376D	MP 1/2" media metering valve
	27351D	Pipe 1/2" x 70mm
5	94216D	KIG air coupling 1 1/4"
6	90545D	HMS Water separator 1 1/2"
7	02397D	Ball valve 1 1/4" with handle
8	10711Z	Pilot regulator 1 1/2"
9	99633D	Non return valve 1 1/4" with rubber ball
10	90460D	Elbow union 1 1/4"
11	03371D	Outlet valve TLR
-	01804D	Red. nipple 1 1/4" – 1" I Nr. 245
12	94301D	Hose nipple 1 x 25mm

## 9.5 Nozzles, Blast hose, Couplings, etc



Pos.	Description	Pulsar III	Pulsar VI&VI +	Pulsar VIII&VIII+
(1)	CFB-0 –Brass coupling 1 ¼“ (pot)	90257D		
	CFT –Iron cast coupling 1 ¼“ (pot)	-	91011D	91011D
(2)	CQB-0 –Brass coupling for 13 x 7,5	90258D		
	CQP ¾“ Plastic coupling for 19x7	-	94350D	94350D
(3)	Blast hose 13 x 7,5 pro m	04257D	-	-
	Blast hose 19 x 7 pro m	-	04301D	04301D
(4)	NHP-0 nozzle holder f. blast hose 13x7,5	90269D	-	-
	NHP-3/4“ nozzle holder f. blast hose 19x7		99204D	99204D
(5)	<b>Nozzles with fine thread 25 mm</b>			
	CB-2/25 Boron carbide nozzle (3 mm)	94210D	-	-
	CB-3/25 Boron carbide nozzle (4,5 mm)	94211D	-	-
	CB-4/25 Boron carbide nozzle (6 mm)Standard	94212D	-	-
	CB-5/25 Boron carbide nozzle (8 mm)	94212D	-	-
	<b>Nozzles with coarse thread 50 mm</b>			
	CTJG-3 Clemlast TC 8mm	-	05288D	05288D
	CTJG-4 Clemlast TC 8mm	-	05289D	05289D
	CTJG-5 Clemlast TC 8mm Standard	-	05290D	05290D
(-)	Nozzle holder	100559	100559	100559
(-)	Clamp ZERO 12mm	99868Z	99868Z	99868Z
(-)				

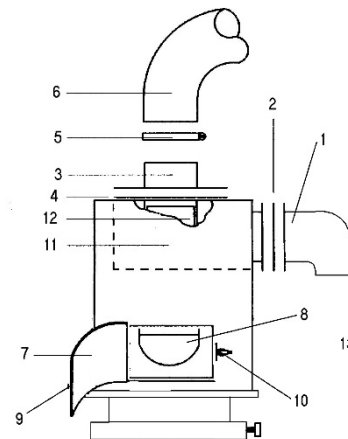
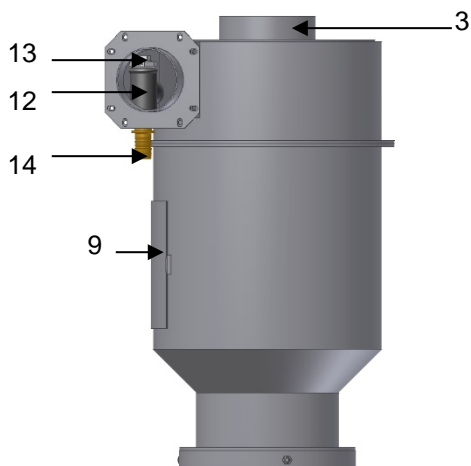
## 9.6 Foot pedal



Pos.	Description	Pulsar III	Pulsar VI a.VI +	Pulsar VIII a.VIII+
(-)	3-way foot valve only	06266A	06266A	06266A
(-)	3-way foot valve complete	06266Z	06266Z	06266Z
(-)	Silencer ¼"	90941D	90941D	90941D
(-)	Pipe plug ¼"	01950D	01950D	01950D

## 9.7 Cyclon

Picture :6



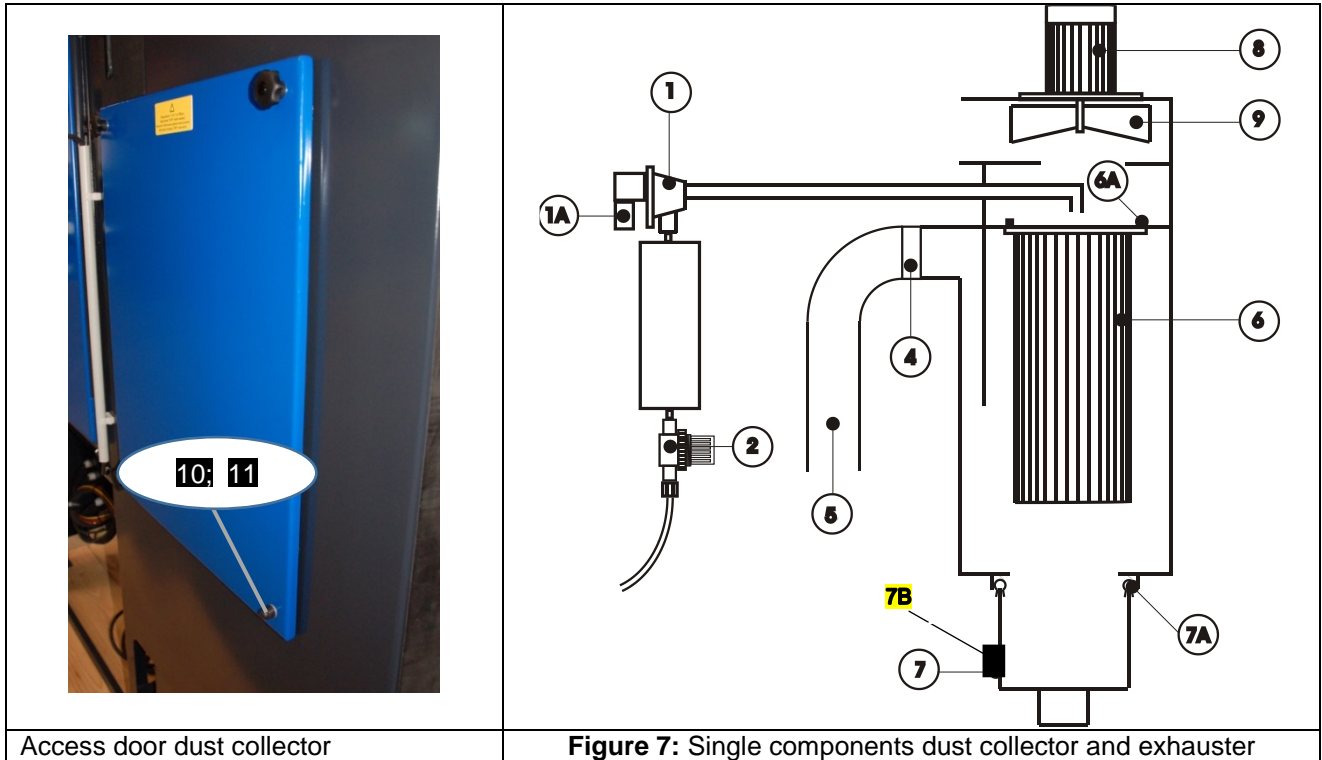
Swirl brake in sieve – item 8a



<b>Pos.</b>	<b>Description</b>	<b>Pulsar III</b>	<b>Pulsar VI a. VI +</b>	<b>Pulsar VIII a. VIII+</b>
ohne	Cyclon PA-VI pressure Mod 05 complete	-	100990	100990
(1)	Adaptor Ø 100 / 4"	12376Z	-	-
-	Elbow PA-VI pressure inlet ø 125 mm / 5"		99575Z	99575Z
(2)	Gasket adaptor for Ø 100	11746Z	-	-
-	Gasket adaptor for Ø 125		11779Z	99575Z
(3)	Adaptor 150 mm / 6"	20343Z	20343Z	20343Z
(4)	Gasket for cleaner per m (outlet)	99751Z	99751Z	99751Z
(5)	Clamp for Ø 100	90241Z	-	-
-	Clamp for Ø 125	-	90260Z	90260Z
-	Clamp for Ø 150	90261Z	90261Z	90261Z
(6)	Suction hose ø 100 mm / 4"	12447Z	12447Z	12447Z
-	Suction hose ø 125 mm / 5"	12449Z	12449Z	12449Z
-	Suction hose ø 150 mm / 6"	12452Z	12452Z	12452Z
(7)	Door gasket cyclon	11745Z	11745Z	11745Z
(8)	Screen new-reclaimer	21265Z	21265Z	21265Z
(8a)	Swirl brake	JH160063	JH160063	JH160063
(9)	Door	14271Z	14271Z	14271Z
(10)	Hook ASSY	12263Z	12263Z	12263Z
(11)	Rubber lined plate for 300 CFM	11984Z	11985Z	11985Z
(12)	T-piece 1 " no. 130	94201D	94201D	94201D
(13)	Pipe plug 1 "	01701D	01701D	01701D
(14)	Hose nipple 1"x25mm	94301D	94301D	94301D
-	Plug NPT 1"	12011D	12011D	12011D
-	Plug 1" with holes	27349Z	27349Z	27349Z



## 9.8 Dust collector and exhauster



Access door dust collector

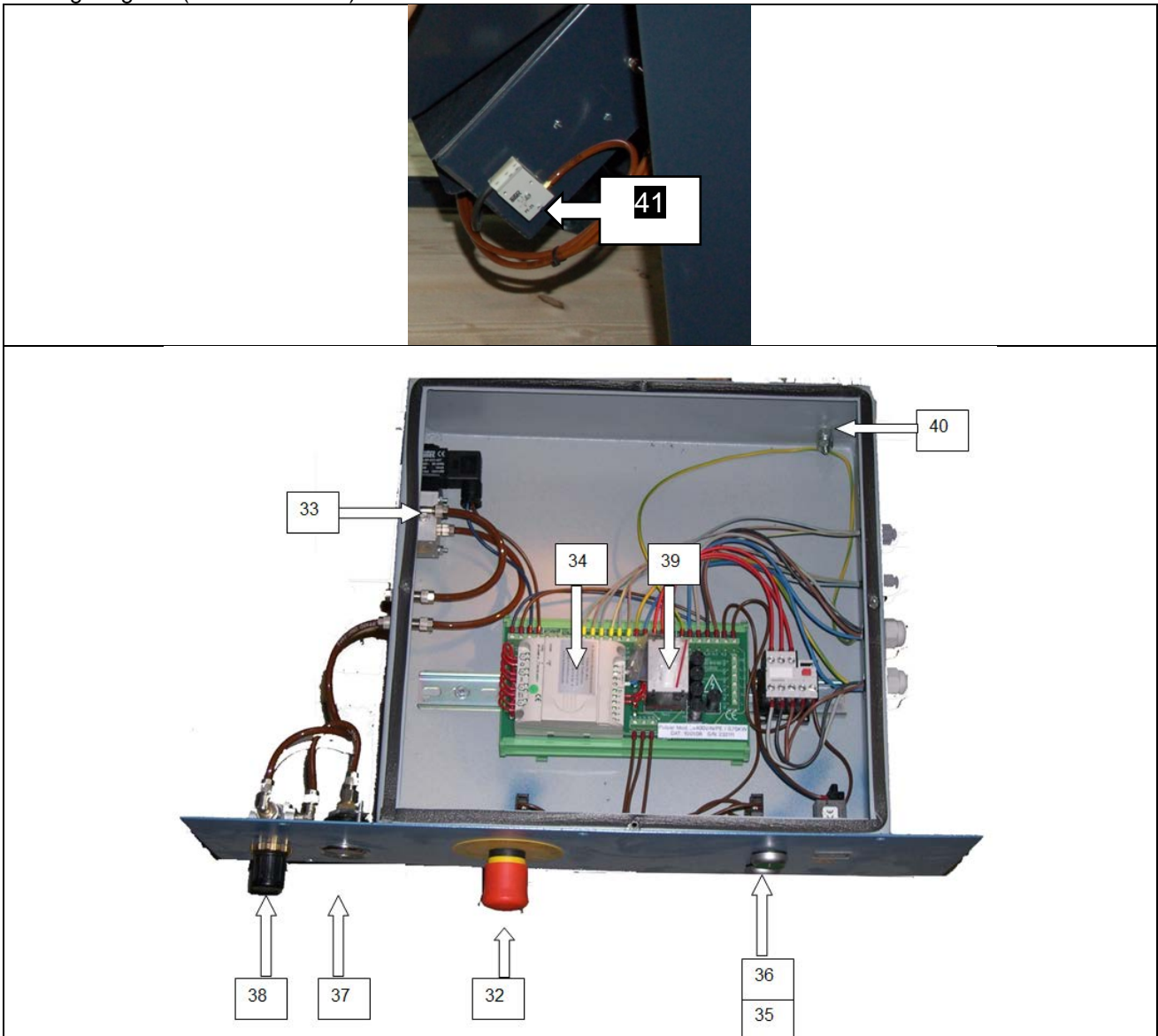
Figure 7: Single components dust collector and exhauster

Pos.	Description	Pulsar III	Pulsar VI & VI +	Pulsar VIII & VIII+
(1)	Valve ASCO Pulsar	90804Z	90804Z	*1)
(1A)	Solenoid valve 220V	100039	100039	*1)
(2)	Pressure regulator 1/4" with gauge	100061	100061	100061
(4)	Clamp for Ø 150 mm / 6"	90761Z	90761Z	90716Z
(5)	Suction hose Ø 150 mm / 6" per m	12452Z	12452Z	12452Z
(6)	Filter cartridge	100537	100537	100537
(6A)	Screw M10 x 45 (per piece)	99081D	99081D	99081D
(7)	Dust container	ohne	ohne	ohne
(7A)	Gasket for dust container	100832 2 m	100832 2 m	100832 2 m
(7B)	Pneumatic dust container contact (3/2 directional control valve, pneumatic)	12202Z	12202Z	12202Z
(8)	E-Motor 0,75KW /230 / 410V, 2800 rpm	19026Z	19026Z	19026Z
(9)	Paddle wheel	19235Z	19235Z	19235Z
(10)	M8 earthing nut with shim	27241Z	27241Z	27241Z
(11)	M8 protective cap for earthing nut	90831Z	90831Z	90831Z

\*1) actually no part number-on demand

## 9.9 Control box

Wiring diagram (see control box)

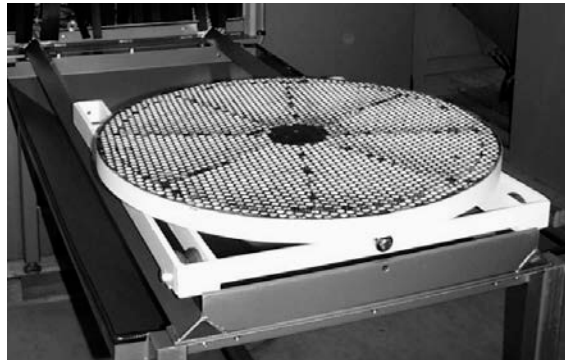


Pos.	Description	Pulsar III	Pulsar VI & VI +	Pulsar VIII & VIII+
(32)	Emergency STOP button	100742	100742	100742
(33)	Solenoid valve 1/8"	100741	100741	100741
(34)	Module- Pulsar	100735	100735	100735
(35)	Push button (green)	100736	100736	100736
(36)	Push button (red)	100737	100737	100737
(37)	Gauge	11831Z	11831Z	11831Z
(38)	Pressure regulator	100061	100061	100061
(39)	Fuses F1 to F5 per piece	100743	100743	100743
(40)	Earth screw	100732	100732	100732
(41)	Signal converter- pneumatic-electric (pressure control device)	100835	100835	100835

## 9.10 Grounding

Pos.	Description	Pulsar III	Pulsar VI a.VI +	Pulsar VIII a.VIII+
(-)	Earth screw M8 complete with nut, lug and earth washer	100732	100732	100732
(-)	Ground wire 10 mm <sup>2</sup> per m	100769	100769	100769

## 9.11 Options, Accessories



**Figure 8:** Track assembly: truck, hopper, work car with turntable

Pos.	Description	Pulsar III	Pulsar VI and VI+	Pulsar VIII and VIII+	Re-fitting requirements
(-)	Turntable, truck, hopper + work car	13530Z	12835Z	12835Z	Opening for rails
(-)	turntable Ø 760 mm only	90881Z	90881Z	90881Z	
(-)	wheel for work car without bearing	90987Z	90987Z	90987Z	
(-)	Stationary turntable Ø 760 mm complete	99840Z	99840Z	99840Z	keine
(-)	Gate 300 x 300 mm (per pcs.)	100282	100282	100282	Openings in door
(-)	Gate 400 x 400 mm (per pcs.)	*1)	100283	100283	Openings in door
(-)	Port 300 x 300 mm including mounting	90681Z	90681Z	90681Z	Openings in door
(-)	Port 400 x 400 mm including mounting	*1)	100302	100302	Openings in door
(-)	Tumble 4,5 l complete with E-motor 230V (door mounting possible))	100549	100549	100549	Openings in door Setting electrical connections
	Tumble 30 l complete with E-Motor 230V (door mounting possible)	Not recommended	100548	100548	Openings in door Setting electrical connections
(-)	Tool for window installation	12176Z	12176Z	12176Z	

\*1) not possible

### 9.11.1 Further options

	Re-fittings possible by customer?
Reinforcements for loadings till 5000 N	Conditional
Reinforcements for loadings till 20000 N	No
Rubber coating	Yes
PU-coating	NO
Grounding the nozzle	Yes


### 9.12 Control box- binding plan for 3x400 V, 0.75 kW

See control box

## 10 Disposal

Unless a return or disposal agreement has been made, recycle the dismantled components:

- Scrap metals.
- Send plastic elements for recycling.
- Dispose of remaining components sorted according to material properties.

	<p><b>ATTENTION!</b></p> <p>Environmental damage through incorrect disposal! Electronic scrap, electronic components, lubricants and other auxiliary materials are subject to hazardous waste treatment and may only be disposed of by approved specialist companies!</p>
-----------------------------------------------------------------------------------	-------------------------------------------------------------------------------------------------------------------------------------------------------------------------------------------------------------------------------------------------------------------------------

The local authority or special waste disposal companies provide information on environmentally friendly disposal.